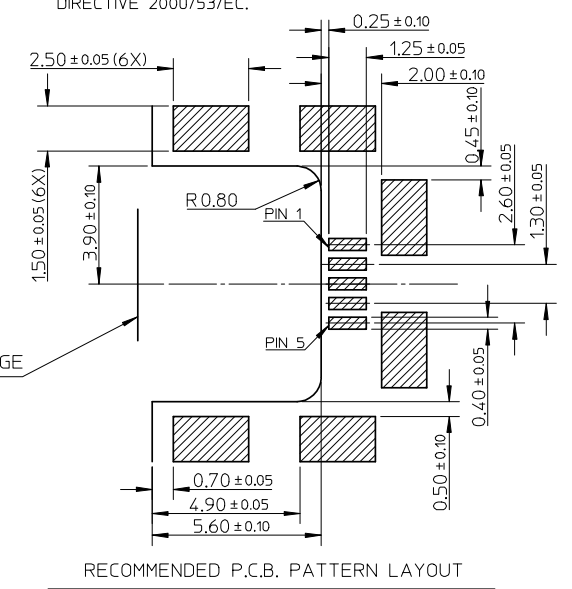
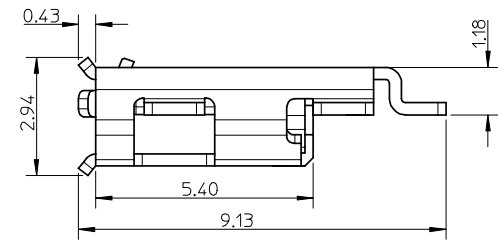
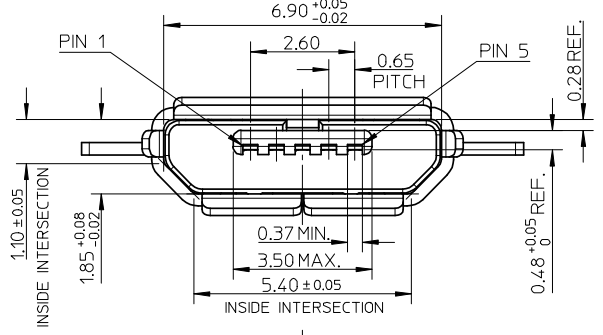
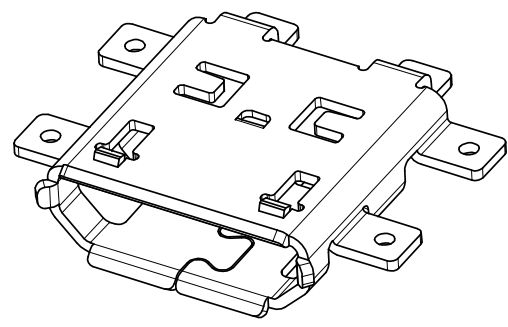
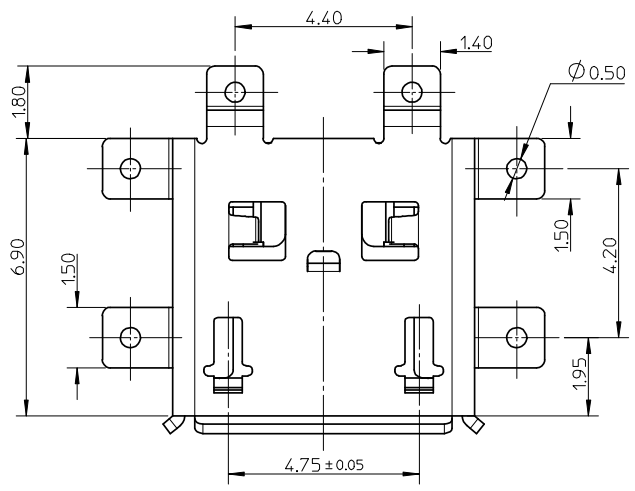
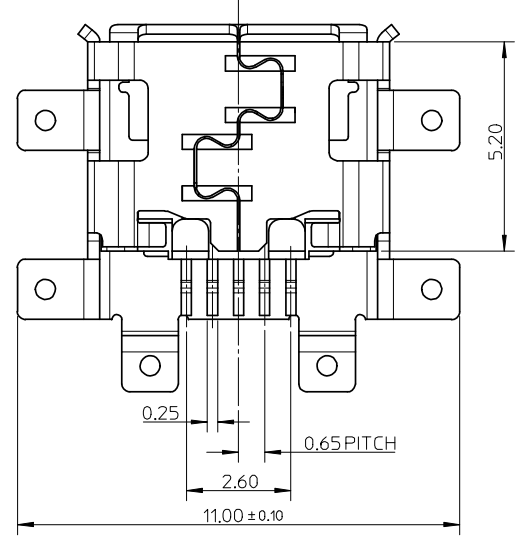


NOTE :

- MATERIAL :
HOUSING : LCP, BLACK, UL94V-0
TERMINAL : COPPER ALLOY THICKNESS = 0.15 MM
SHIELD CASE : STAINLESS STEEL THICKNESS = 0.30 MM
- PLATING :
TERMINAL:
CONTACT AREA : GOLD FLASH OVER MINIMUM 0.75 MICRON Pd/Ni.
SOLDER TAIL AREA : GOLD FLASH.
UNDER PLATING : NICKEL 2.0 MICRON MINIMUM.
SHIELD :
OPTION 1 : MATTE TIN 3.8 MICRON MINIMUM.
UNDER PLATING : NICKEL 1.27 MICRON MINIMUM.
OPTION 2 : NICKEL 1.25 MICRON MINIMUM
- TAIL & NAIL COPLANARITY 0.08 mm MAXIMUM.
- PACKAGING SPECIFICATION : PK-47491-001
- PRODUCT SPECIFICATION : RPS-47491-***
- COMPLIANT TO RoHS DIRECTIVE 2002/95/EC AND ELV DIRECTIVE 2000/53/EC.



SHELL PLATING OPTION 1	47491-0001
SHELL PLATING OPTION 2	47491-0002



REVISE EC NO: SH2008-0650 DRWN: CWTANG CHKD: XJSONG APPR: HWANG	DESCRIPTION 2008/06/30 2008/07/24	QUALITY SYMBOLS	GENERAL TOLERANCES (UNLESS SPECIFIED)		DIMENSION STYLE	SCALE	DESIGN UNITS	THIRD ANGLE PROJECTION		
		▽=0 ∠=0	mm	INCH	MM ONLY	8:1	METRIC			
			4 PLACES ± ---	± ---	DRAWN BY	DATE	TITLE			
			3 PLACES ± ---	± ---	CHECKED BY	DATE	MICRO USB B REC. MIDDLE MOUNT ASS'Y			
	2 PLACES ± 0.25	± ---	APPROVED BY	DATE	MOLEX INCORPORATED					
	1 PLACE ± 0.25	± ---	JNCHEN	2006/04/28	MATERIAL NO. SEE CHART					
	ANGULAR ± 3 °		DRAFT WHERE APPLICABLE MUST REMAIN WITHIN DIMENSIONS		DOCUMENT NO. SD-47491-001		SHEET NO. 1 OF 1			
D	REV		SIZE A3		THIS DRAWING CONTAINS INFORMATION THAT IS PROPRIETARY TO MOLEX INCORPORATED AND SHOULD NOT BE USED WITHOUT WRITTEN PERMISSION					